

MultiCyclone Ultra

A Revolution in Pond Filtration

MultiCyclone Ultra combines centrifugal and cartridge filtration into one streamline housing, creating an ultra compact filtration system that can be vertically installed on a pond pump.

- Dual stage filtration
- Ultra compact
- Ease of maintenance
- Save time, water and energy



Quality Water

Dual Stage Filtration

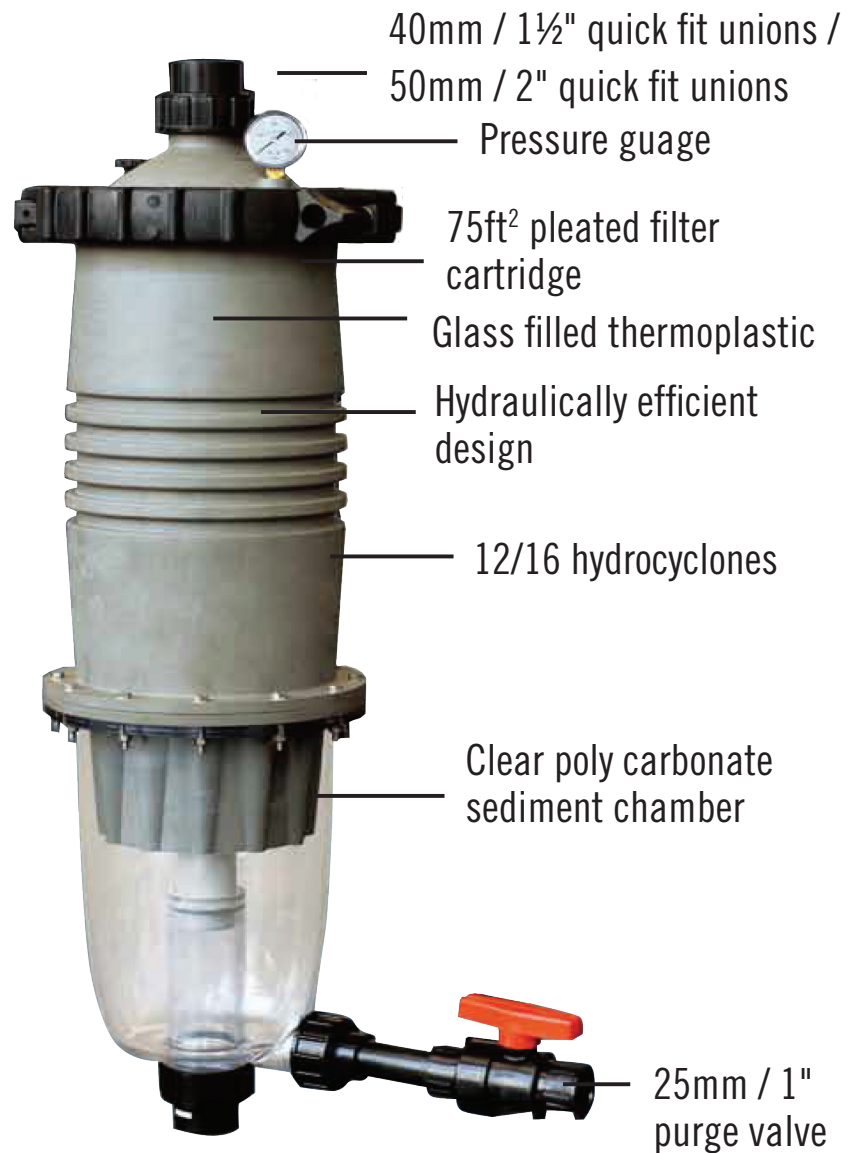
Incoming water tangentially enters its multiple hydrocyclones, generating a strong centrifugal effect. Approximately 80% of the incoming dirt load is spiralled down to its clear sediment chamber. The outgoing water is finally polished via its inbuilt cartridge filter, producing crystal clear water.

Extended Filter Capacity

As MultiCyclone Ultra's centrifugal section filter pre-filters up to 80% of the incoming dirt load, the capacity of its 75 ft² filter cartridge is magnified by up to 5 times.

Ease of Maintenance

The MultiCyclone Ultra sediment chamber is easily cleaned by opening its purge valve. Only 5 gallons of water is discharged.



Model	Hydrocyclones	Connection Ports	Minimum Flow	Maximum Flow	Filter Area	Maximum Pond Size	Maximum Pressure
RK-MC-12 Ultra	12	1½" / 40 mm	10gpm	60gpm	75 ft ²	28,000g	50psi / 350 kPa
RK-MC-16 Ultra	16	2" / 50 mm	13gpm	75gpm	75 ft ²	36,000g	50psi / 350 kPa

Maximum flow is limited by the surface area of the filter cartridge. Residential Cartridge Design Filtration Rate: 75ft² (1gpm/ft²)

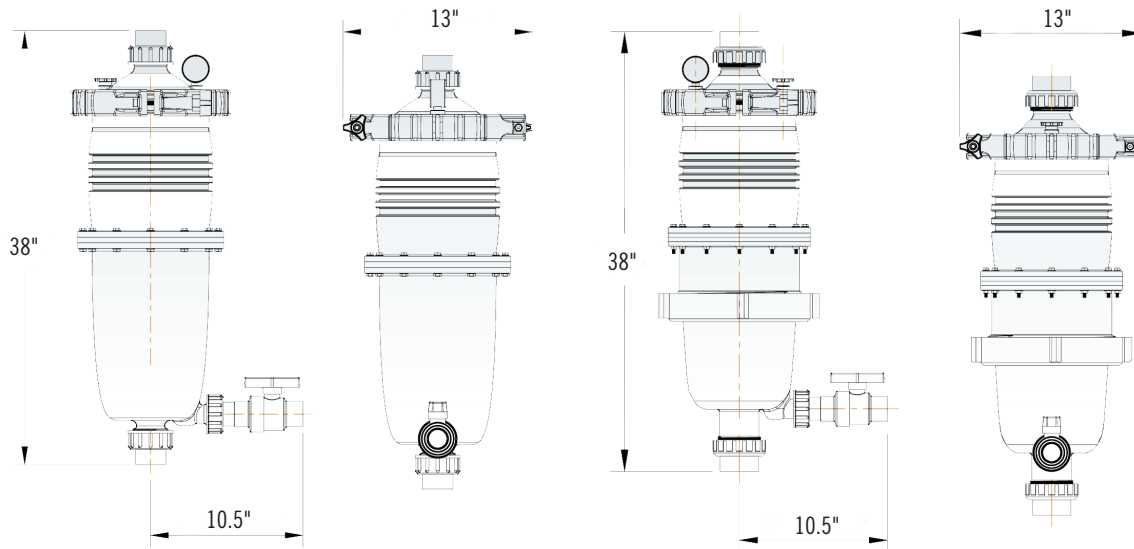
Ultra Compact

MultiCyclone Ultra's streamlined design means the entire filtration system can be installed vertically, reducing the footprint of the equipment pad. Additionally, minimal pipework reduces the filtration system's overall head loss. Alternatively the MultiCyclone Ultra can be installed next to the pump by using an optional support base.

DIMENSIONS

MultiCyclone 12 Ultra

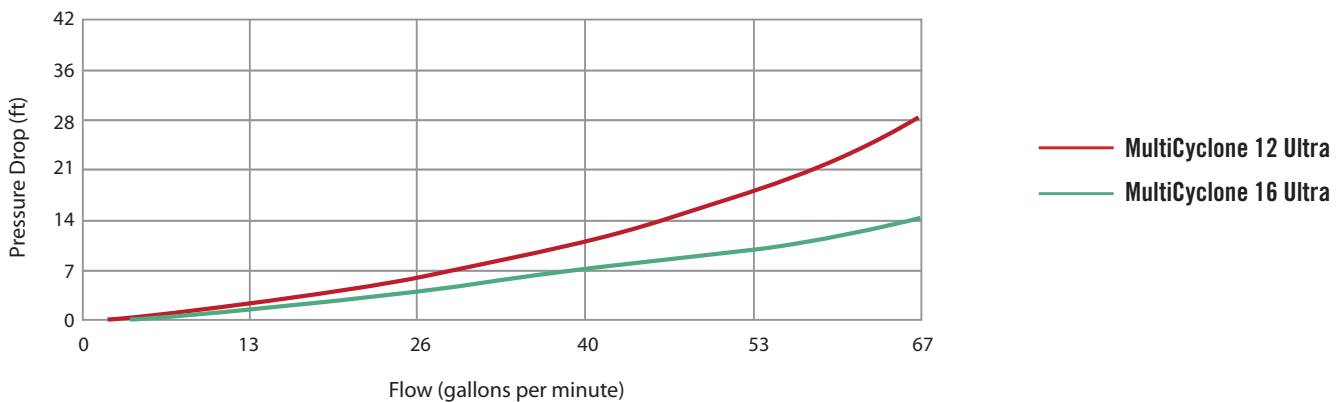
MultiCyclone 16 Ultra



Warranty

MultiCyclone Ultra is covered by a 2 year warranty and 1 year warranty on labor. Commercial installations are covered by a 1 year warranty.

Head Loss Curves



RK2 Systems Product List



Protein Fractionators



Pumps



Fluidized Sand Filters



Chillers



Filtration Systems



Heaters



Ozone Systems



Parts & Fittings



Controllers/Monitoring Equipment



UV Sterilizers



Contact your local distributor.

Quality Water